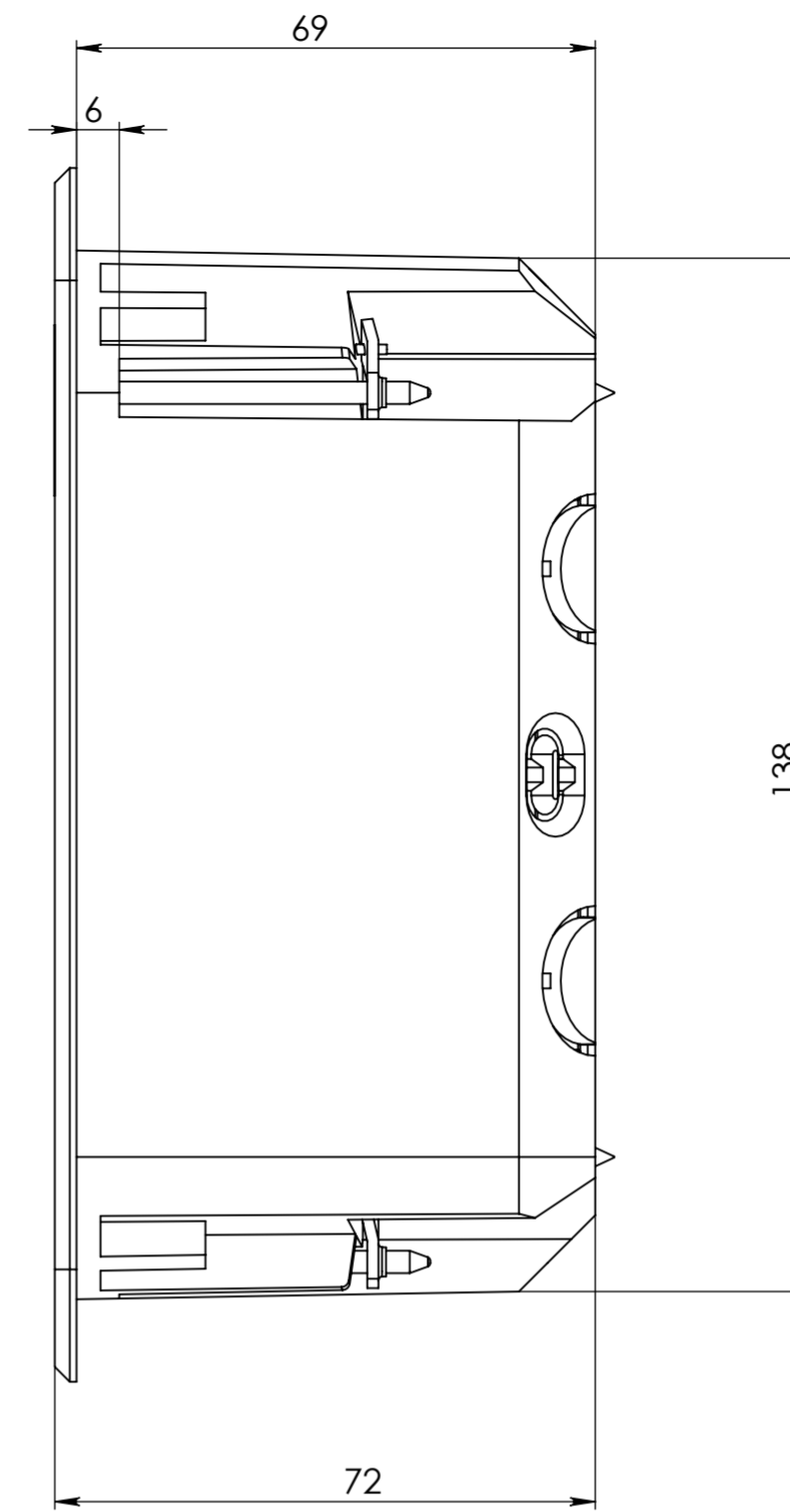
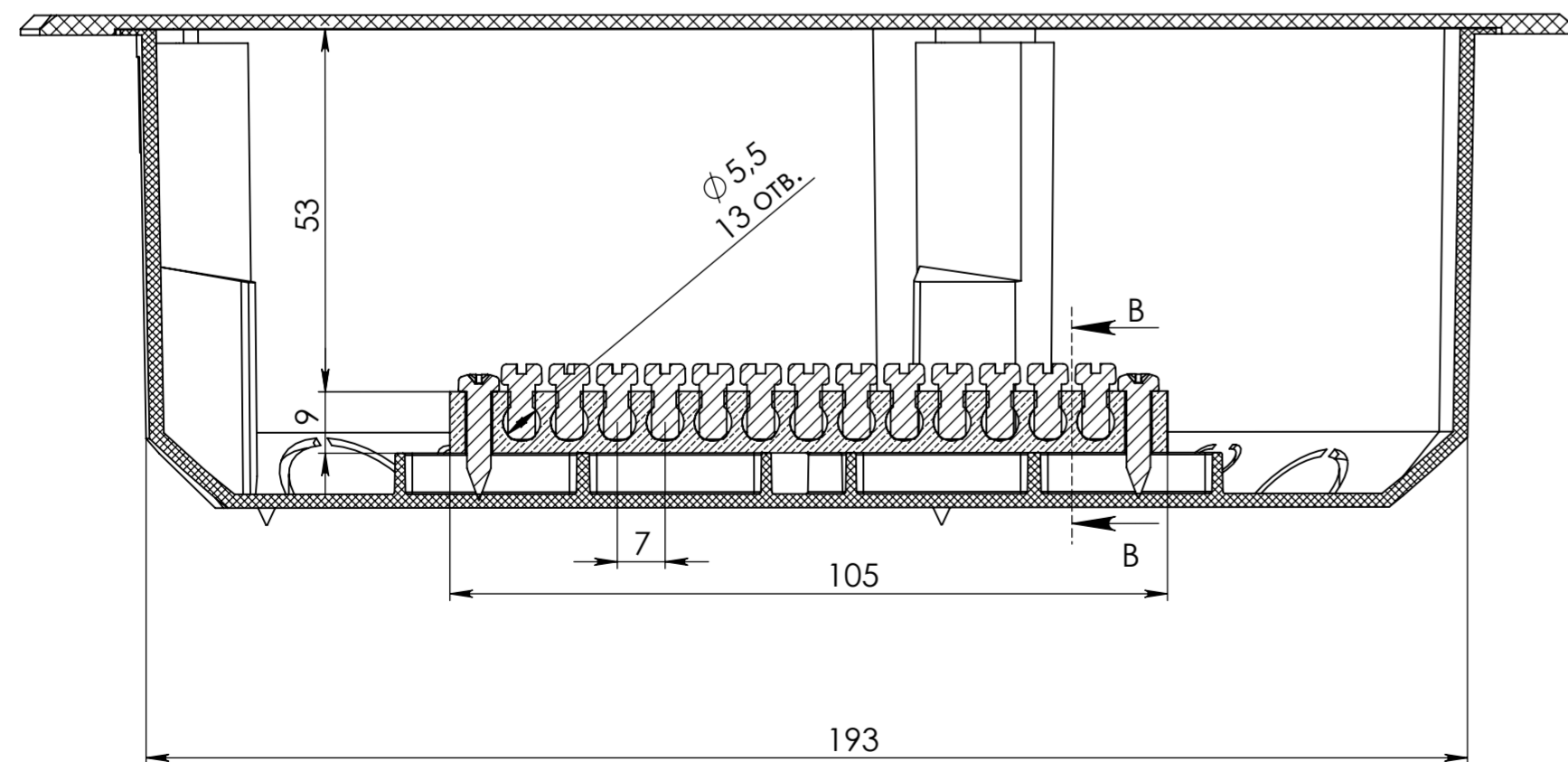
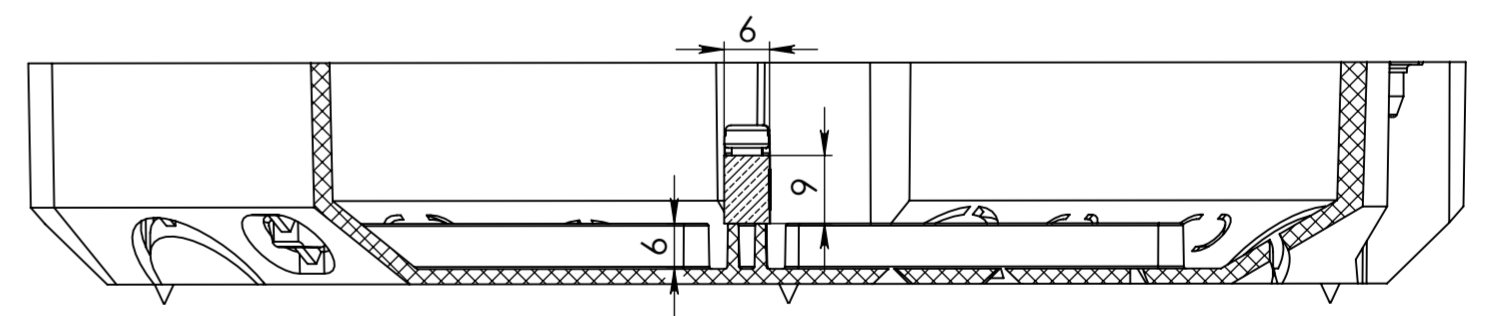


СЕЧЕНИЕ А-А  
МАСШТАБ 1 : 1



СЕЧЕНИЕ В-В  
МАСШТАБ 1 : 1



UNLESS OTHERWISE SPECIFIED: DIMENSIONS ARE IN MILLIMETERS		FINISH:		DEBUR AND BREAK SHARP EDGES		DO NOT SCALE DRAWING		REVISION	
SURFACE FINISH:									
TOLERANCES:									
LINEAR:									
ANGULAR:									
DRAWN:		NAME	SIGNATURE	DATE		TITLE:			
CHK'D:									
APP'V'D:									
MFG:									
Q.A:						MATERIAL:	DWG NO.	<b>КУП1204СБ</b>	
								A2	
						WEIGHT:	SCALE:1:5	SHEET 1 OF 1	