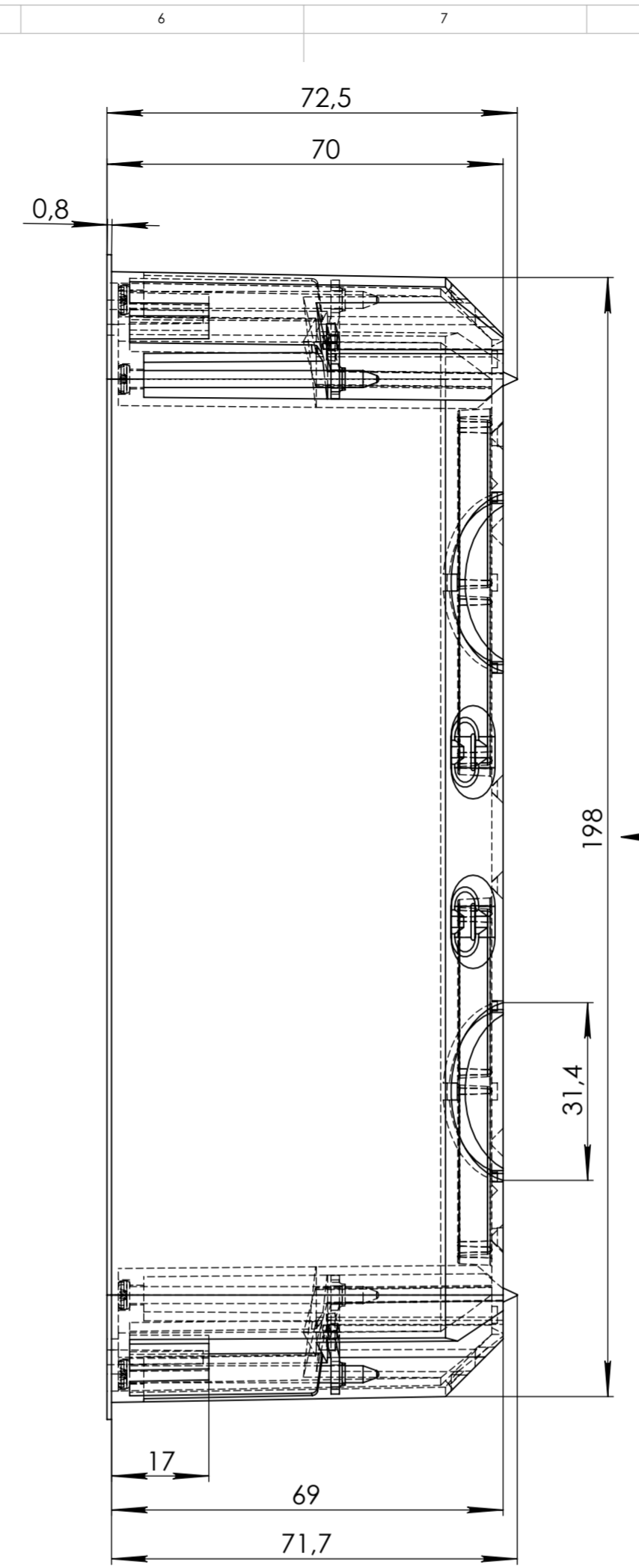
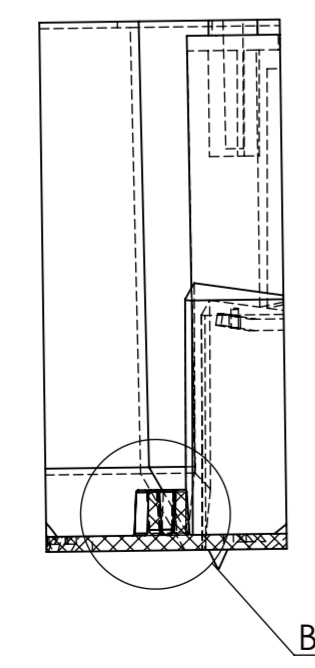
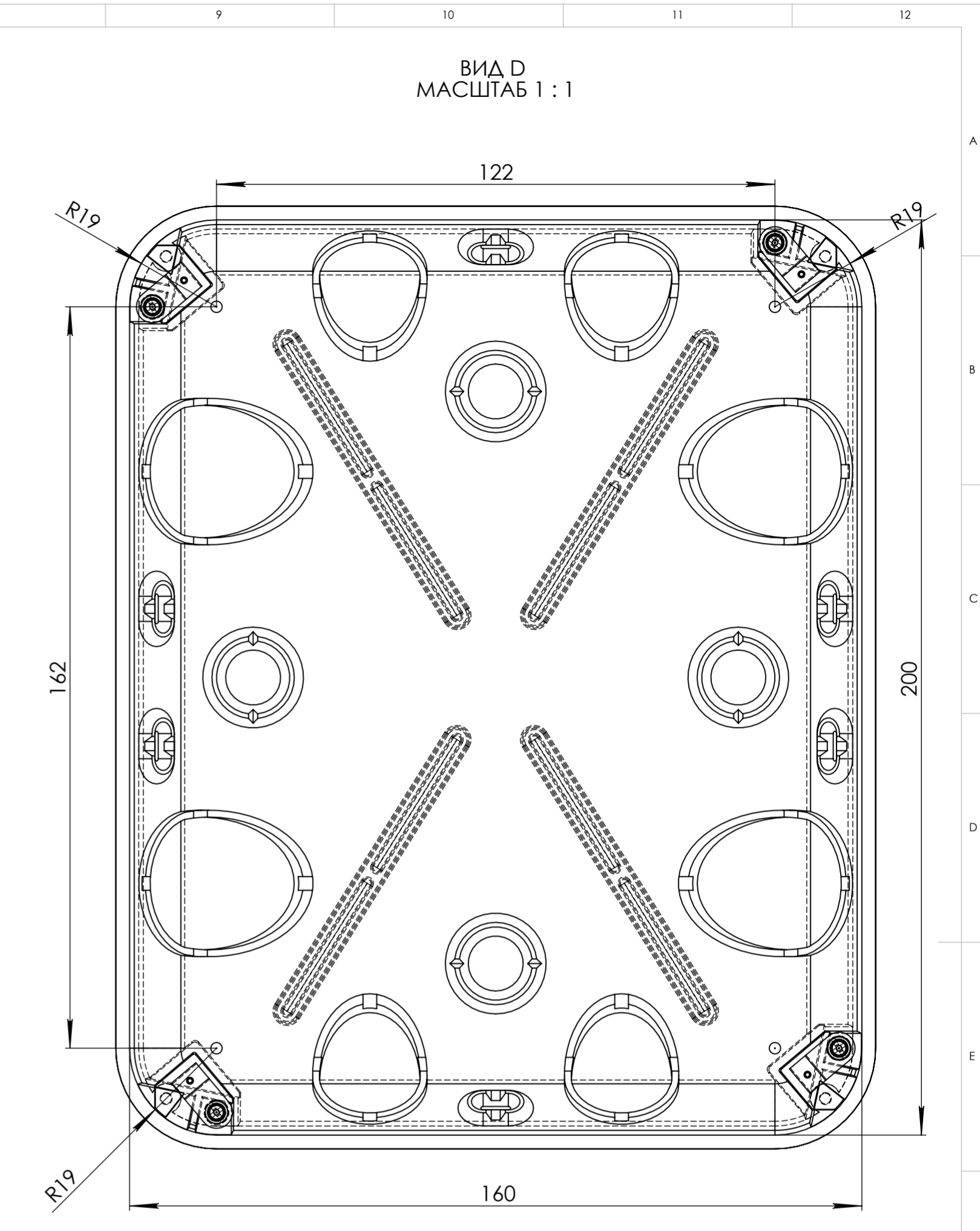
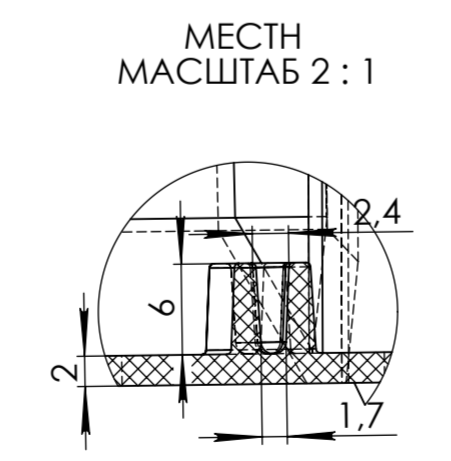


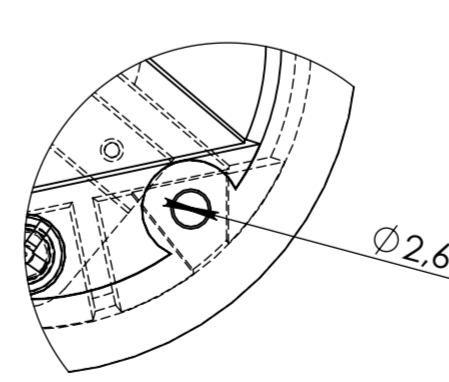
СЕЧЕНИЕ А-А
МАСШТАБ 1 : 1



МЕСТНЫЙ С
МАСШТАБ 2 : 1



ВИД D
МАСШТАБ 1 : 1



| | | | | | | |
|---|------|-----------|---------|-----------------------------------|----------------------|---------------|
| UNLESS OTHERWISE SPECIFIED: DIMENSIONS ARE IN MILLIMETERS SURFACE FINISH: TOLERANCES: LINEAR: ANGULAR: | | | FINISH: | DEBUR AND BREAK SHARP EDGES | DO NOT SCALE DRAWING | REVISION |
| DRAWN: | NAME | SIGNATURE | DATE | | TITLE: | |
| CHK'D: | | | | | | |
| APP'VD: | | | | | | |
| MFG: | | | | | | |
| Q.A. | | | | MATERIAL: | DWG NO. | KP1205 |
| | | | | WEIGHT: | SCALE:1:5 | A2 |
| | | | | | SHEET 1 OF 1 | |