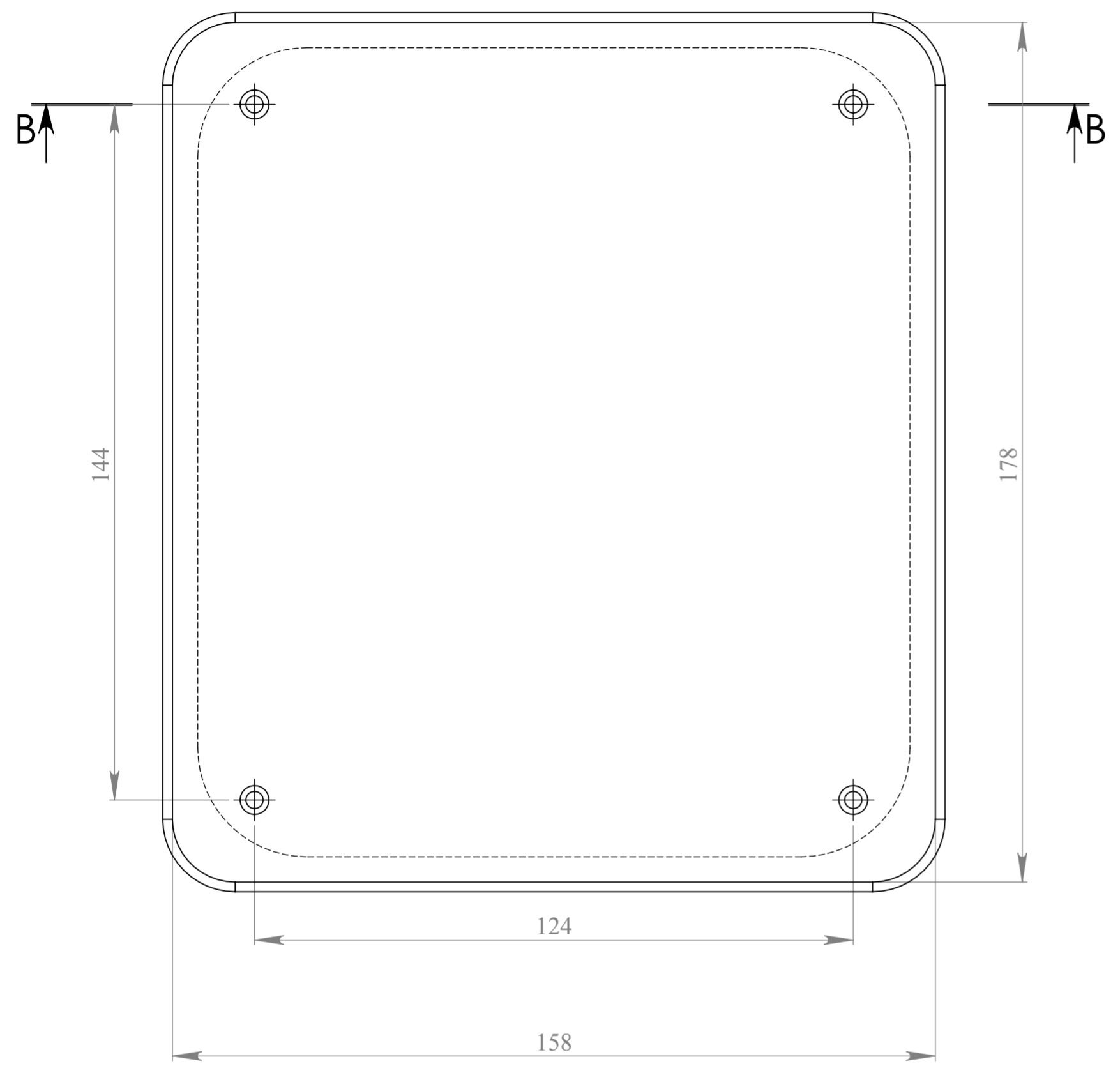
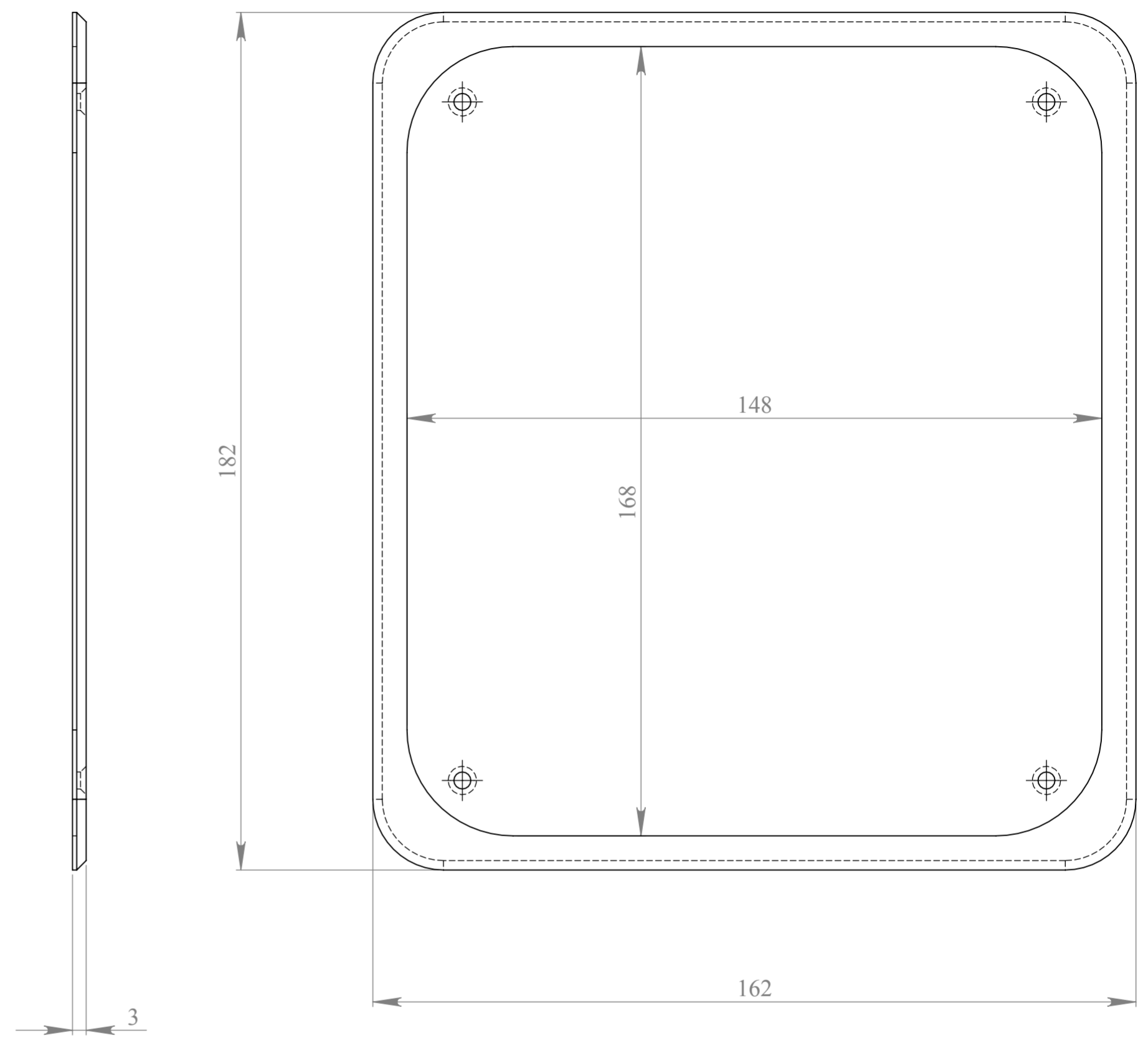


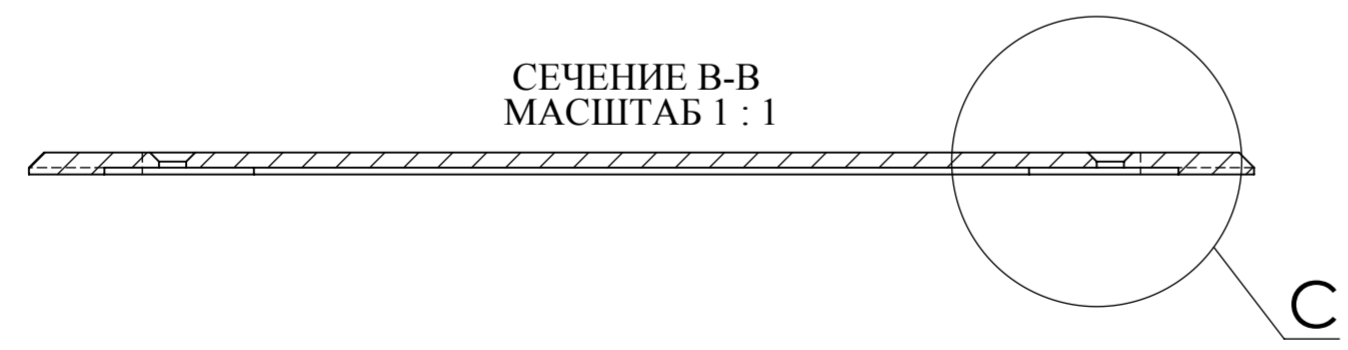
ВИД А
МАСШТАБ 1 : 1



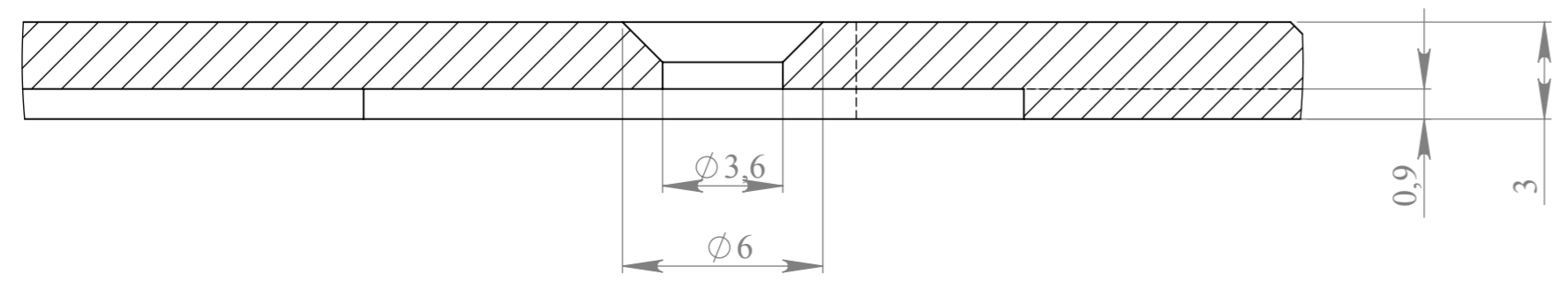
A



СЕЧЕНИЕ В-В
МАСШТАБ 1 : 1



МЕСТНЫЙ
МАСШТАБ 5 : 1



UNLESS OTHERWISE SPECIFIED: DIMENSIONS ARE IN MILLIMETERS		FINISH:		DEBUR AND BREAK SHARP EDGES		DO NOT SCALE DRAWING		REVISION	
SURFACE FINISH:									
TOLERANCES:									
LINEAR:									
ANGULAR:									
DRAWN:		NAME	SIGNATURE	DATE		TITLE:			
CHK'D:									
APP'V'D:									
MFG:									
Q.A.						MATERIAL:		DWG NO.	
								Крышка КР1204 A2	
						WEIGHT:		SCALE:1:2	
								SHEET 1 OF 1	