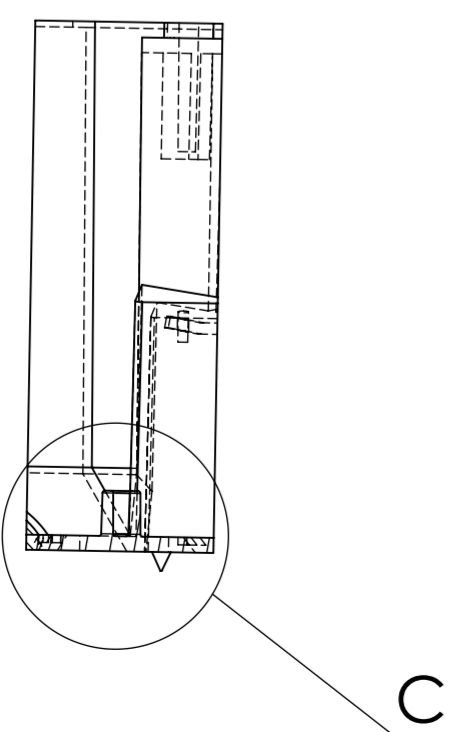
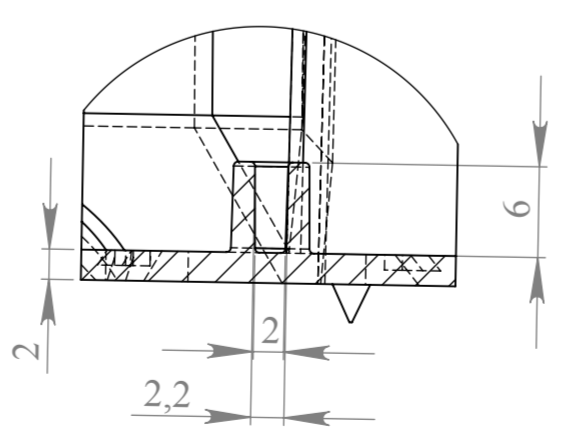


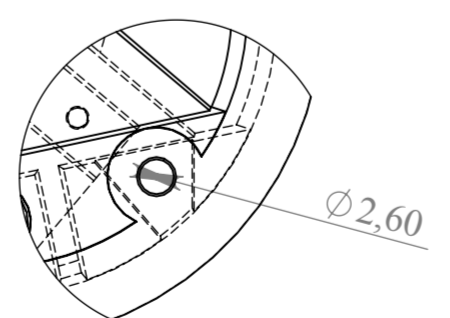
СЕЧЕНИЕ В-В



МЕСТНЫЙ С  
МАСШТАБ 2 : 1



МЕСТНЫЙ D  
МАСШТАБ 2 : 1



UNLESS OTHERWISE SPECIFIED: DIMENSIONS ARE IN MILLIMETERS			FINISH:		DEBUR AND BREAK SHARP EDGES		DO NOT SCALE DRAWING		REVISION	
SURFACE FINISH:										
TOLERANCES:										
LINEAR:										
ANGULAR:										
DRAWN:			NAME		SIGNATURE		DATE		TITLE:	
CHK'D:										
APP'VD:										
MFG:										
Q.A.					MATERIAL:		DWG NO.		A2	
							SCALE:1:1		SHEET 1 OF 1	
					WEIGHT:					

**KP1204**