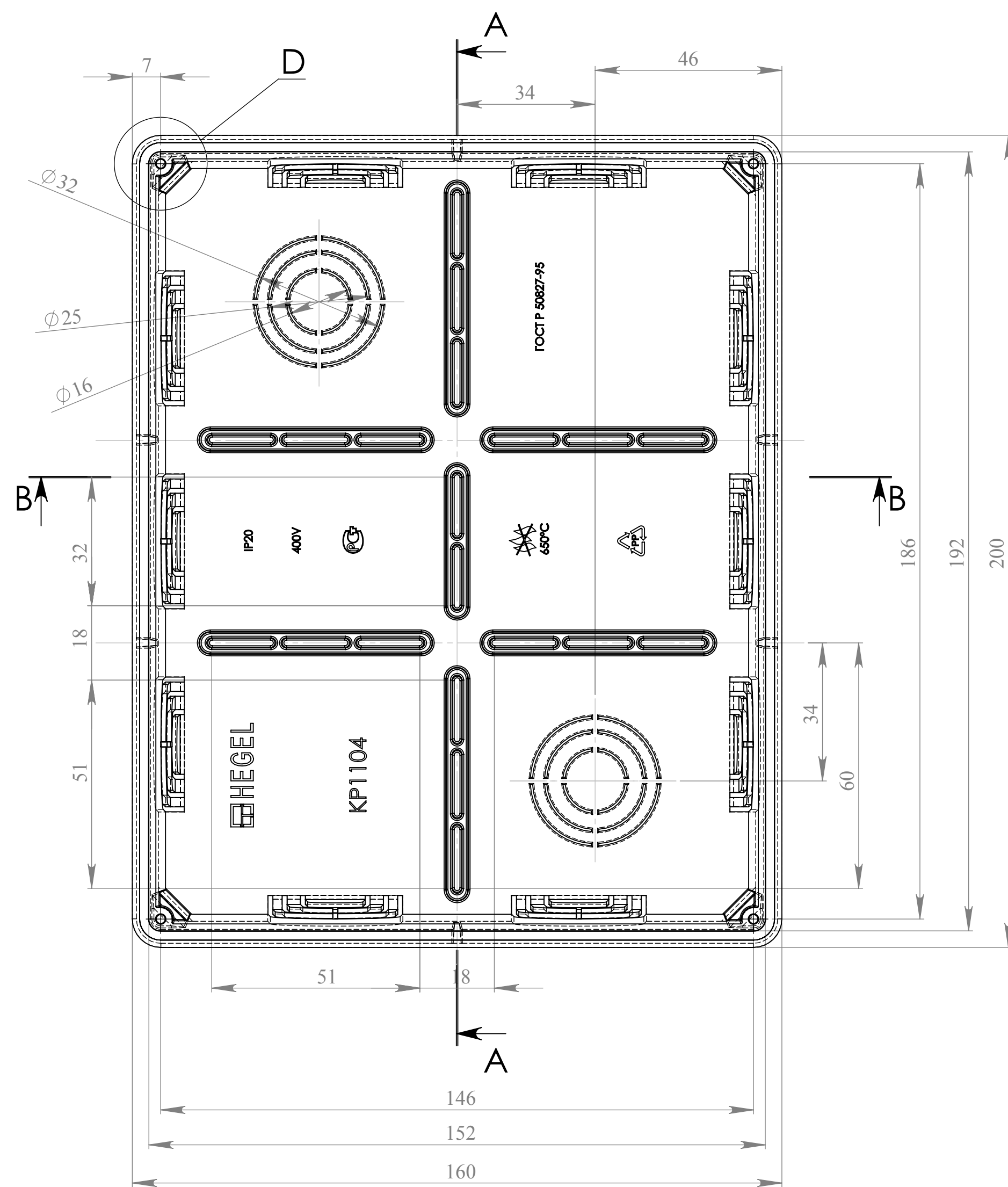
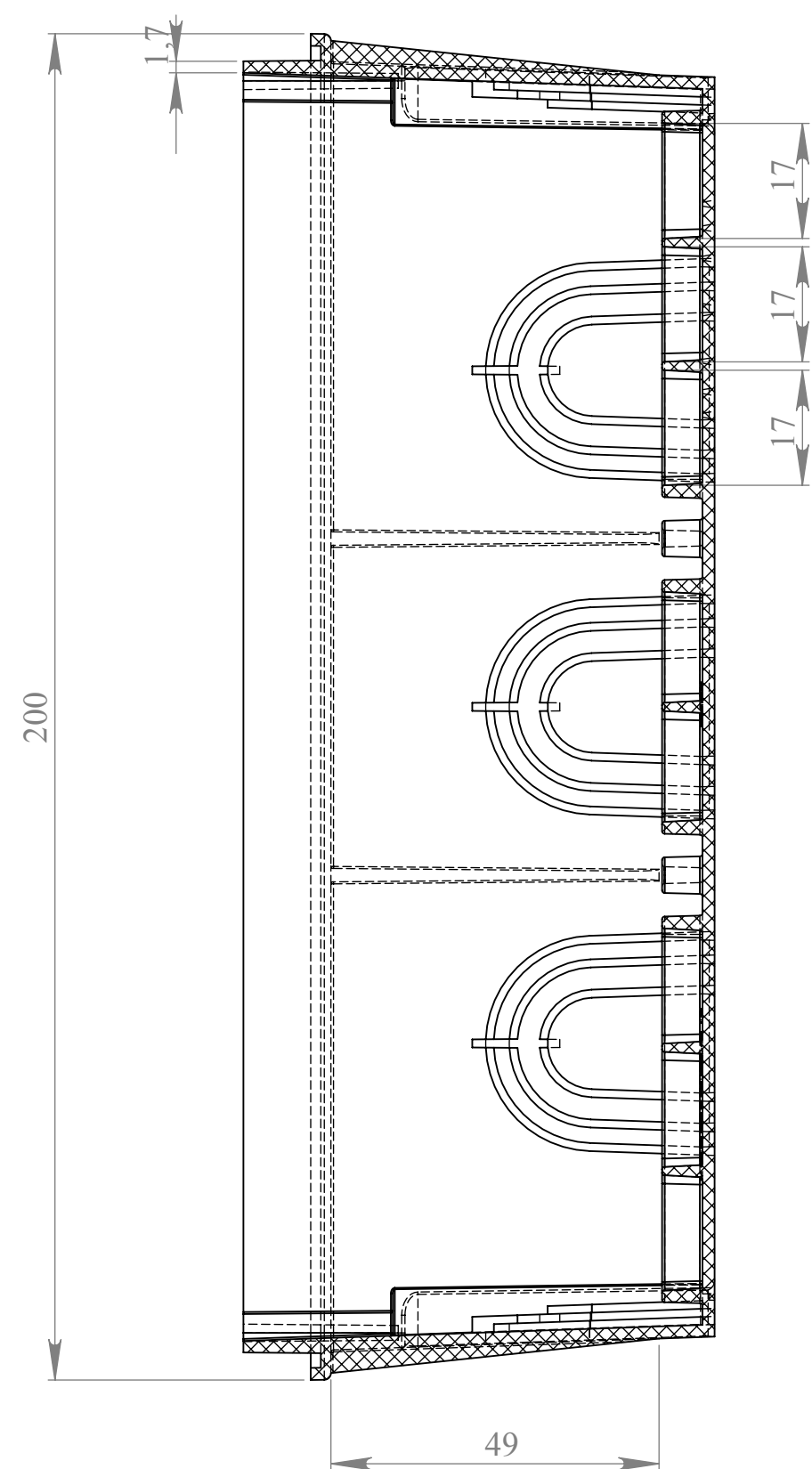
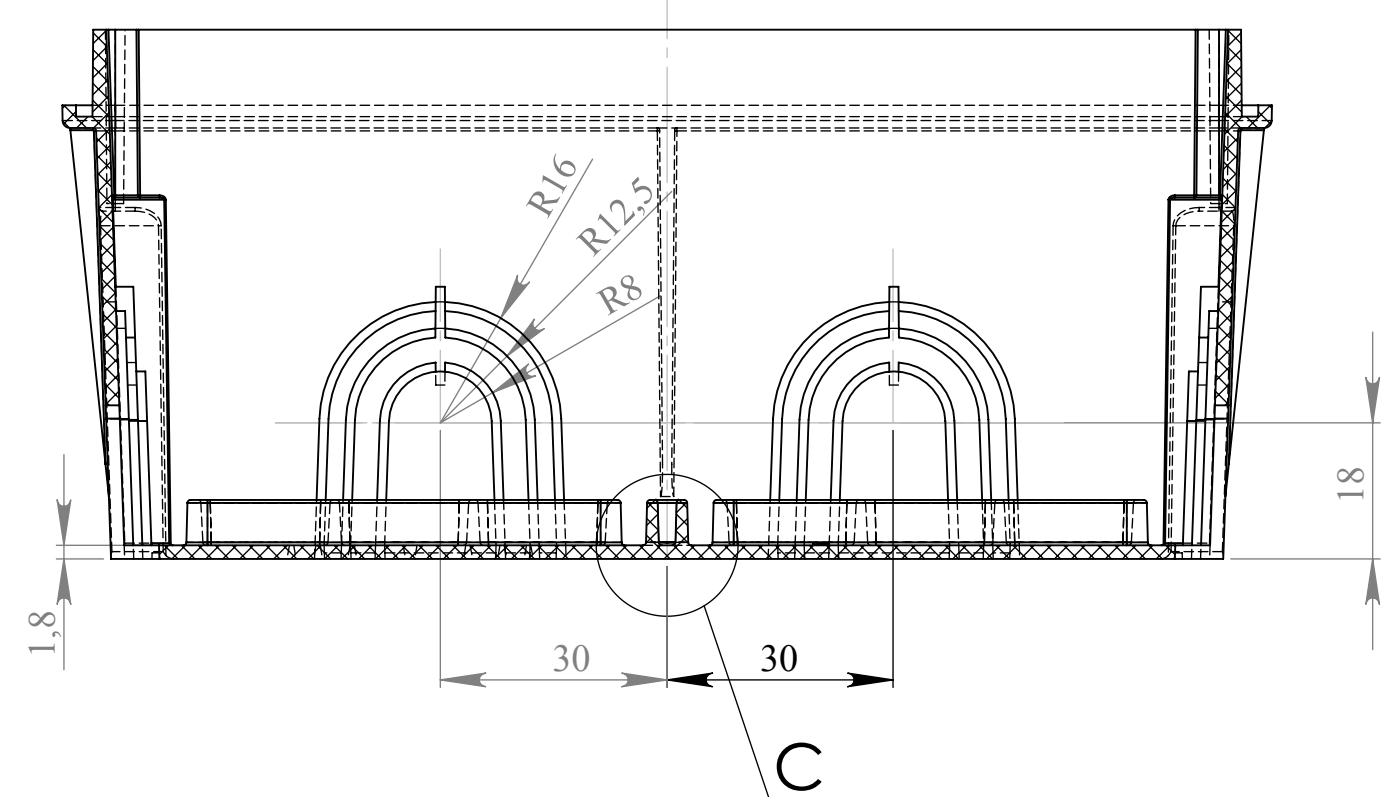


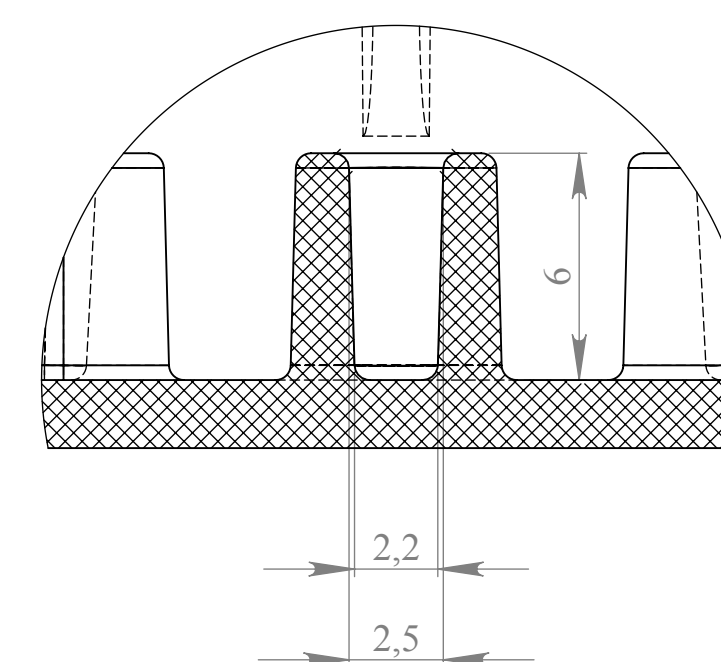
СЕЧЕНИЕ А-А



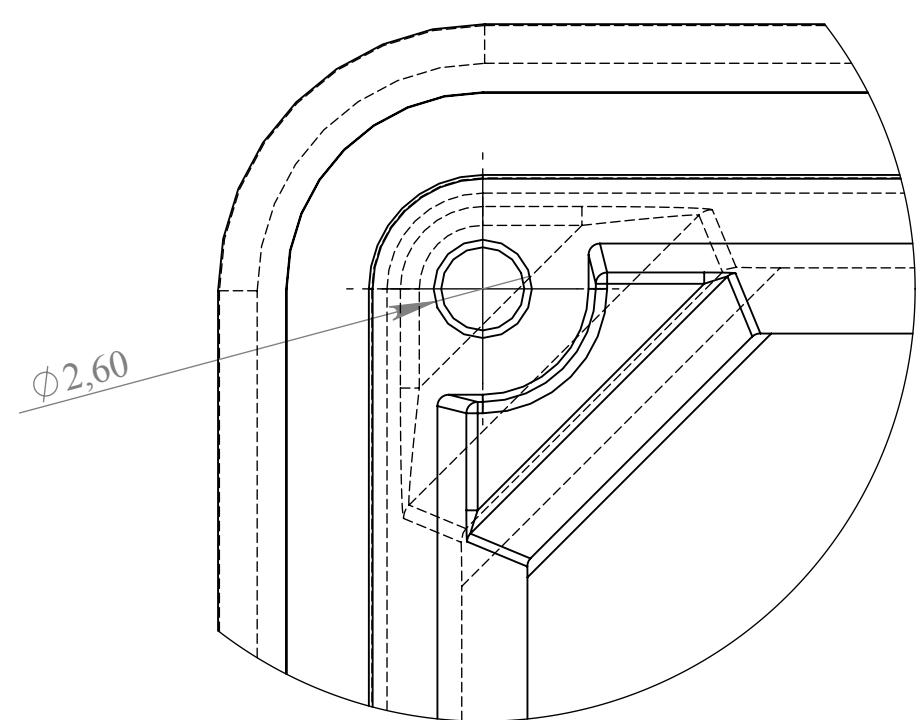
СЕЧЕНИЕ В-В



МЕСТНЫЙ С
МАСШТАБ 5 : 1



МЕСТНЫЙ D
МАСШТАБ 5 : 1



UNLESS OTHERWISE SPECIFIED: DIMENSIONS ARE IN MILLIMETERS		FINISH:	DEBUR AND BREAK SHARP EDGES		DO NOT SCALE DRAWING	REVISION
TOLERANCES: LINEAR: ANGULAR:						
DRAWN:	NAME:	SIGNATURE:	DATE:			TITLE:
CHK'D:						
APP'VD:						
MFG:						
Q.A:				MATERIAL:	DWG NO.	KP1104
				WEIGHT:	SCALE:1:1	A1
						SHEET 1 OF 1